

ZD421D

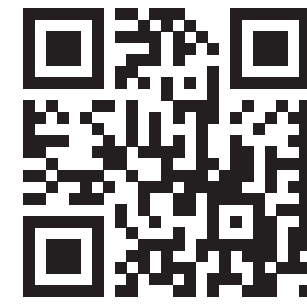
Desktop Printer



Quick Start Guide



1 Setup



zebra.com/setup

Scan the code to download and install Zebra Setup Utilities.

2 Remove Packing

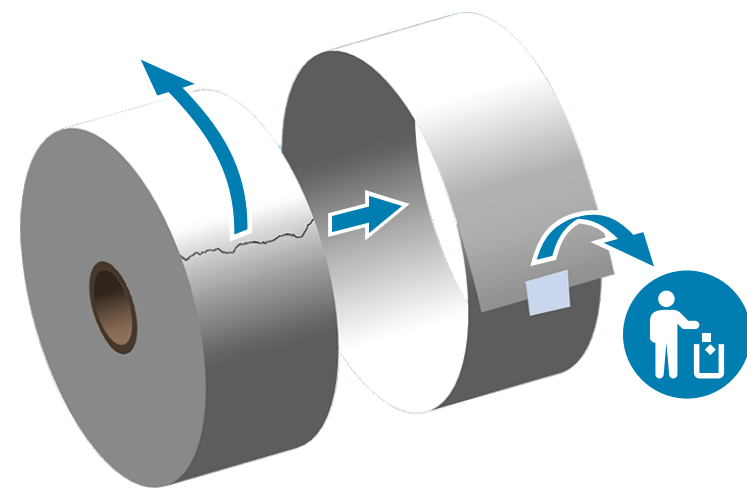


Slide the release latches to the front to unlock the cover.



Open the printer and remove the packing.

3 Load Media



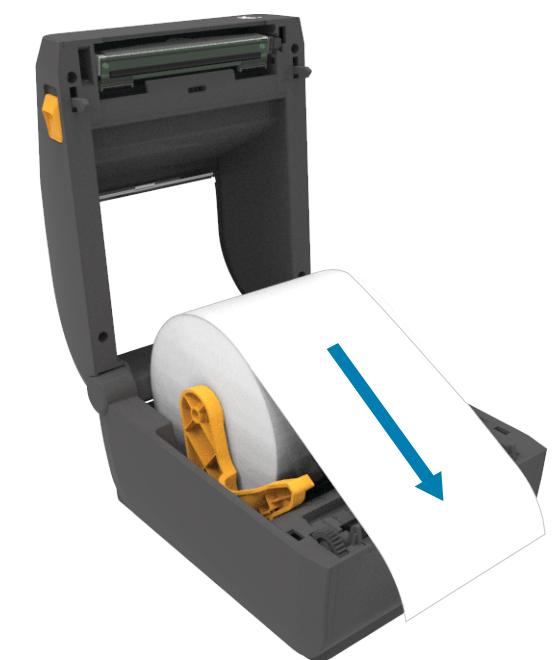
Unroll and discard the outer layer of the media roll.



Spread the roll holders open and place the roll into the printer.



Verify the roll spins easily on the holder.



Pull the end of the roll past the front edge of the printer.

3 Load Media (continued)



Press the media under the guides.

4 Adjust Sensor



Align the sensor to the center of the roll for regular labels.



Align the sensor to the edge of the roll for marked labels.



Zebra Technologies | 3 Overlook Point | Lincolnshire, IL 60069 USA — zebra.com

ZEBRA and the stylized Zebra head are trademarks of Zebra Technologies Corp., registered in many jurisdictions worldwide. All other trademarks are the property of their respective owners. © 2020 Zebra Technologies Corp. and/or its affiliates. All rights reserved.



5 Close Printer



Push down on the front edge of the printer until it locks.

6 Connect Power



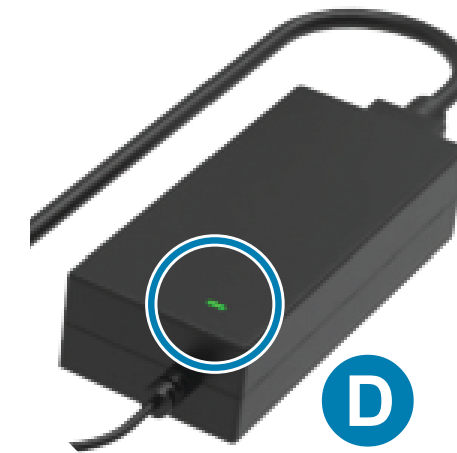
A. Plug the power supply into the printer.
B. Plug the power cable into the power supply.

C

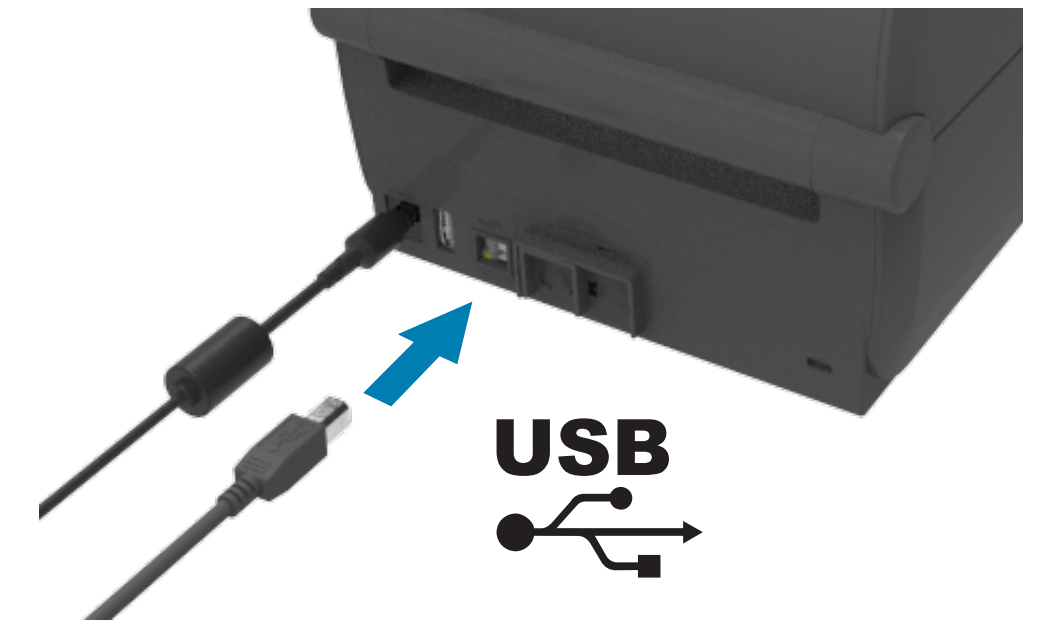


C. Plug the power cord into an appropriate receptacle.
D. The power supply lights green.

D



7 Connect USB



Connect a USB cable to the printer, connect the other end to your computer.

8 Power On



Press the **Power** button.



When the the printer is ready, the printer status light will turn green.

9 Smart Calibration



Press and hold the **Pause** and **Cancel** buttons for two seconds to line up the labels.

10 Print Configuration Report



Press and hold the **Feed** and **Cancel** buttons for two seconds to print a configuration report.

Support and Information



Need to design a label?
zebra.com/zebradesigner

View user documentation and
how-to videos.
zebra.com/zd421d-info



Need to manage your printer?
zebra.com/ppme

Contact Zebra about your printer.
zebra.com/contact



Need to secure your printer?
zebra.com/printsecure

Learn about genuine Zebra
supplies.
zebra.com/supplies



Media Out



When the media run out, the printer and media status lights will turn red.



Open the printer and discard the empty roll.

Cleaning



Clean printhead with a cleaning pen. Clean from the middle to the outside. Do not use a cleaning pen on the platen.